



Low-cost Flowmeter (for Immediate Delivery)

MODEL RK1700 SERIES

Model RK1700 Series Flowmeter centers the focus on cost reduction using SUS 316 as the material of construction. This flowmeter covers flow ranges from 1 l/min to 50 l/min and can be shipped in one week after the customer's purchase order.

Features

- Very reduced price
- One-week delivery
- Compact design

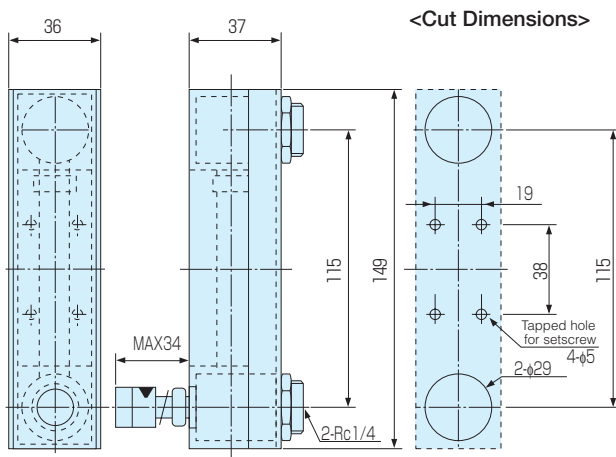
Notes:

- Operating temperature is 20°C (at atmospheric pressure).
- The needle is located at the bottom. (Standard specification)
- Supply pressure, standard: 0.1 MPa to 0.3 MPa

Standard Specifications

Flow range (Full scale)	1L, 5L, 10L, 30L, 50L/MIN (AT20°C)
Fluids	Use for Air, N ₂ and O ₂ exclusively
Accuracy	FS±7%
Available scale	10:1
Proof pressure	0.5MPa
Materials	SS: SUS 316, Pyrex, Viton, SUS 304, SUS 303 BS: Brass, Pyrex, NBR, SUS303
Connection	Rc1/4

Dimensions



RK1700V

Ordering

