

Agilent Rapid Raman

Through-Barrier Raw Material Identity Verification





Agilent RapID Raman – Through-Barrier Raw Material Identity Verification

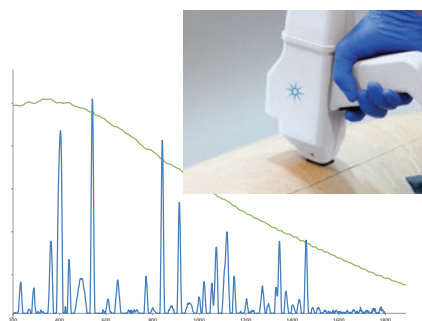
- 100% identity testing for all incoming containers
- Faster identity testing workflow
- Reduced operator time and sample-handling booth usage
- No contamination – better for quality and operator exposure
- Compatible with most containers, active pharmaceutical ingredients (APIs), and excipients

Lower costs and streamline your QC workflow

Raman is the most practical technique for raw material identity verification but it often requires a sampling step, which limits its ease and speed of use. Unique to Agilent, our proprietary spatially offset Raman spectroscopy (SORS) technology enables identification of most common materials through unopened opaque packaging, unlike conventional handheld Raman devices. The Agilent RapID Raman system is the fastest way to verify pharmaceutical raw materials and the most cost-effective means for high throughput or 100% testing.

ID verification with SORS – Raman without barriers

Conventional Raman works well for raw materials verification, but it needs line-of-sight of the contents. That means you must be able to see clearly through the container. With most packaging, conventional handheld Raman instruments don't work. In contrast, SORS scans through containers such as paper sacks without opening and sampling in a booth.



Multilayer paper sack containing dextrose

SORS (blue spectrum) gives a high-quality spectrum of the sack's contents – conventional handheld Raman only measures fluorescence from the container (green spectrum)

The RapID system eliminates the logistical and handling steps of moving, opening and sampling each container and avoids quarantining, sampling booths, and clean-up. RapID fits into the quality control (QC) workflow of a busy warehouse and meets regulatory requirements.

Compatible with most common excipients and containers, the RapID system's 830 nm SORS technology avoids fluorescence from most containers and contents, making it ideal for use in oral solid dose, biopharmaceutical, and parenteral preparations manufacturing, and for testing through a wide variety of packaging.

Agilent RapID nose adapters



Magnetic adapters enable fast measurement of many container types.
*Other adaptors and sizes are available or custom-made

Identify Raw Materials on Receipt

Most containers arriving in a pharmaceutical plant are nontransparent, for example, sacks, tubs, bottles, and barrels. These packaging materials are incompatible with conventional Raman and a sampling step is often required. The time and resource impact of the sampling step often reduces the benefit of the fast Raman identity measurement.

The RapID system avoids sampling, meaning that goods can be tested quickly in the warehouse on receipt, without quarantining, risk of exposure, or contamination.



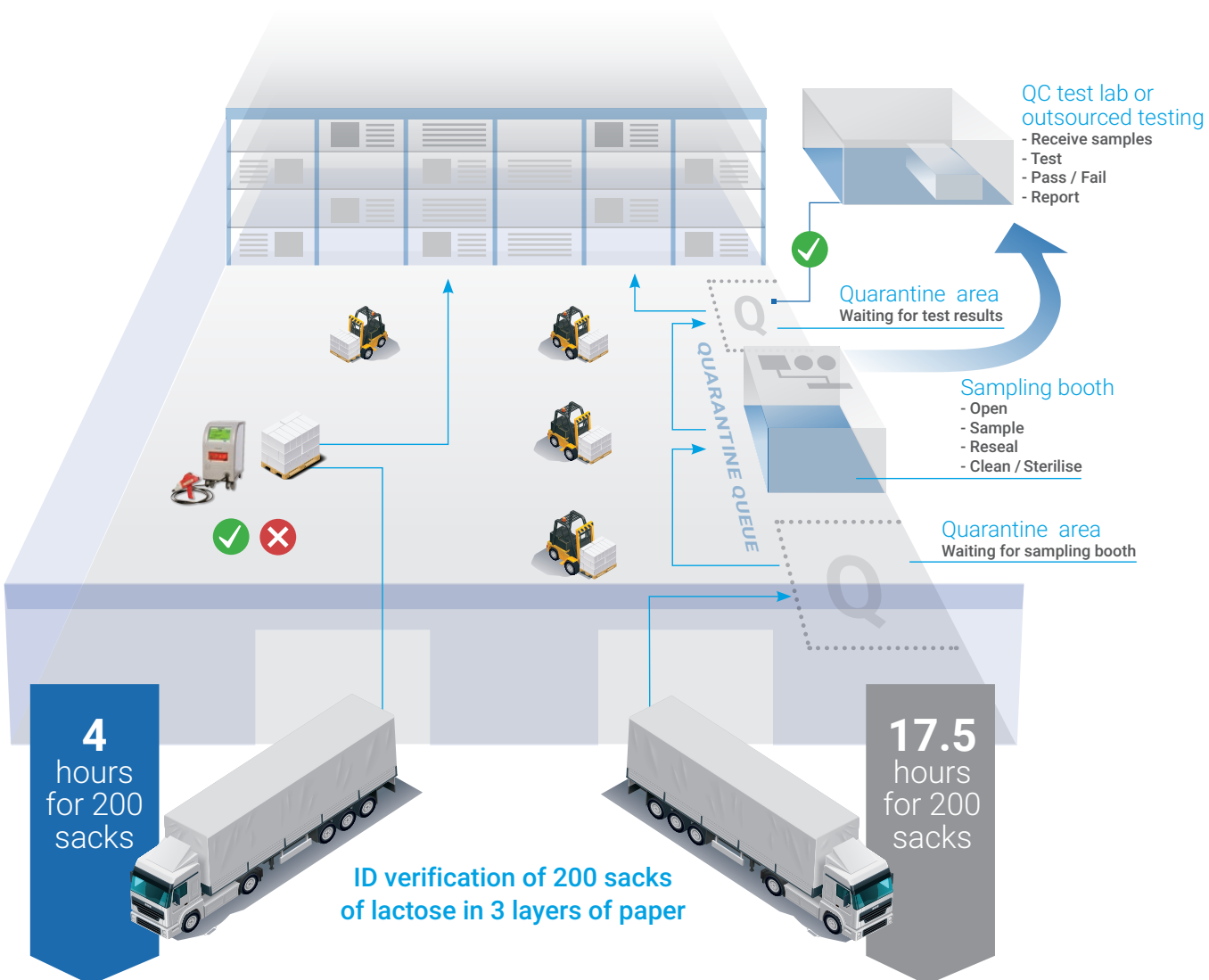
Maintain sterility, avoid exposure and contamination risks



Identify through the packaging

- Avoid sampling booths and quarantine delays
- Reduce QC lab turnaround times and expensive outsourced testing
- Maintain sterility, prevent cross-contamination
- Preserve shelf life of unopened products
- Avoid user exposure to high potency APIs

Comparison of Agilent's RapID Raman to a Conventional Raman ID Verification Workflow for 200 sacks



Agilent RapID Raman

- No opening or re-sealing containers
- One logistical movement to the warehouse
- Sample-to-warehouse averaging 1.2 minutes per sack - 200 sacks completed in <1 shift

Sampling and Conventional Raman ID verification

- Requires opening and re-sealing containers
- Multiple logistical movements to the warehouse
- Sample-to-warehouse averaging 5.25 minutes per sack - 200 sacks completed over 2-3 shifts

Sample and Container Compatibility

Material/Container Combinations	Measurement Times
Mannitol three-layer paper sack	20–30 seconds
2.5 L amber glass bottle with acetic acid	5 seconds
Lactose in 1 ton supersack	10 seconds
Acetaminophen in plastic bottle	5 seconds

Oral solid dose

- Sugars such as mannitol, lactose, dextrose, and glucose
- Microcrystalline cellulose (MCC), hydroxypropyl methylcellulose (HPMC), and croscarmellose sodium
- Magnesium stearate
- Active pharmaceutical ingredients (APIs)

Parenteral preparations

- Sterile liquids such as phenol
- Salts such as $MgCl_2 \cdot 6H_2O$, $CaCl_2 \cdot 2H_2O$
- Amino acids

Biopharmaceuticals

- Growth media
- Polysorbates 20–80
- Buffers such as tris(hydroxymethyl)aminomethane

Extending the possibilities of Raman identification

The RapID system does everything conventional handheld Raman systems do but adds the capability to identify materials through colored glass, opaque plastics, flexible intermediate bulk containers (FIBCs), and multilayer paper sacks. RapID even works through some blue barrels.

Agilent RapID Raman

The RapID system works with most containers, including multilayer paper sacks.



Handheld Raman identification

Conventional Raman systems work with clear plastics and in some cases, can work with amber bottles. Most other containers need to be opened for direct access to the material.



■ Usually routine

■ Usually more difficult*

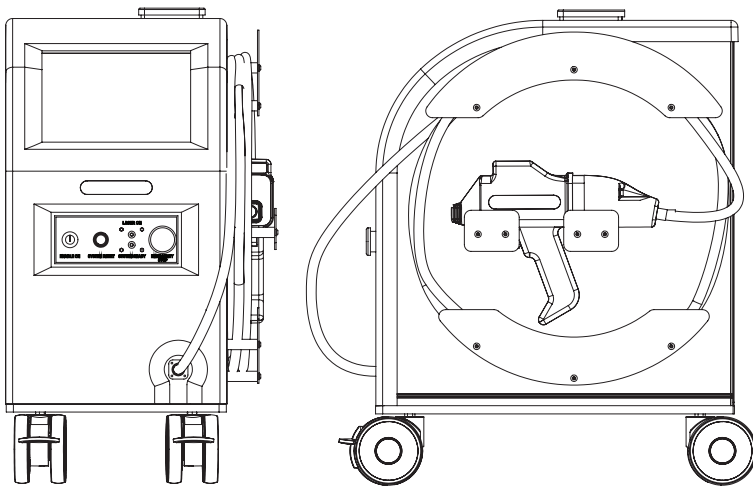
* Successful ID verification depends on container/contents combination.

The Agilent RapID Raman – Portable Through-Container Identification of Raw Materials

RapID software

The RapID system's intuitive software is 21 CFR Part 11 compliant. The system can become part of your wired or wireless network with Windows-managed user logon credentials, shared folders and printers, data synchronization and automated backups, output for LIMS systems, and managing data security.

In routine use, the workflow is optimized for streamlined batch testing, optionally using bar codes for material identification, recording batch information and ensuring that all containers are measured with no accidental repeats. Adding new materials takes minutes, ensuring reliable performance for exceptional ID verification of a wide range of raw materials through most types of containers.



Specification	Description
Dimensions	Width 394 mm (15.5 inches)
	Height 693 mm (27.3 inches)
	Depth 630 mm (24.8 inches)
Laser	Class 3B 830 nm
Power	90–132/180–264 VAC, 47–63 Hz
Software	Includes RapID software Windows 7 Pro operating system 21 CFR Part 11 compliant
Hardware	Touch-screen operated Integral bar code scanner (1D and 2D)
Connectivity	Domain/network through RJ-45 or WiFi USB 2.0

Learn more

www.agilent.com/chem/raman

Find an Agilent customer center

www.agilent.com/chem/contactus

U.S. and Canada

1-800-227-9770

agilent_inquiries@agilent.com

Europe

info_agilent@agilent.com

Asia Pacific

inquiry_lsca@agilent.com

This information is subject to change without notice.

© Agilent Technologies, Inc. 2018
Published in the USA, February 1, 2018
5991-8865EN

